

Envirofan Speed Controls

Installation and Operating Instructions

Model
150F 200F 215F

Specifications:

Model	Volts	Max Amps	Watts
150F	120V	8 Amps	800 W
200F	120V	12 Amps	1200 W
215F	120V	15 Amps	1500 W

Application: Motor type: Shaded Pole, P.S.C., and Universal



Model 150F



Model 200F
Model 215F

Warning:

Disconnect power supply before wiring connections are made to prevent possible electrical shock or damage to equipment. Read and follow instructions carefully. Failure to comply with instructions could result in fire, electrical shock, injury to persons, and/or damage to equipment.

1. Control must be grounded when installed.
2. All wiring should conform to the National Electrical Code and local regulations.
3. Never connect control across line voltage - connect control in series with motor and line voltage.
4. Do not exceed maximum amperage rating of the control.
5. Do not mount in an area that will allow the control to come into contact with moisture.

Installation and Operation:

1. Turn power off at circuit breaker panel or fuse box.
2. Mounting: Use standard 2" single or double gang wall box. Connect only to line voltage shown on control.
3. Run conduit between the wall box, power source and the fan units being controlled. Leave approximately six inches of wire in the box for connections (see figure 1).
4. Make wiring connections (see figure 2). Connect control leads as per diagram to switch box leads. Make sure wire strands are straight and attach the wire leads of the control to the circuit wires by twisting them together. Twist a wire nut onto each connection.
5. Check all connections for tightness, leave no exposed copper conductor.
6. Position connections in box, leaving room for control.
7. Install speed control in wall box using screws supplied. Secure control with outer bracket tabs.
8. Install front dial plate. (Remove protective plastic on face of dial plate.)
9. Turn main control shaft counter-clockwise until a click is heard.
10. Attach control knob by pressing onto shaft firmly so that pointer is in off position.
11. Restore power at circuit breaker panel or fuse box.
12. To turn control on, turn knob clockwise until a click is heard. To decrease fan speed, continue rotating knob clockwise to desired speed setting.

Figure 1 – Mounting

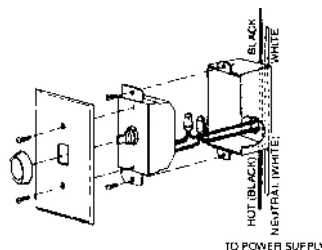
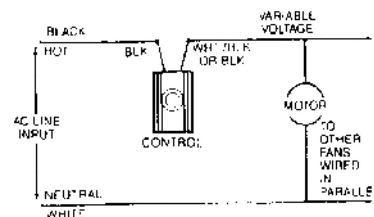


Figure 2 - Wiring



Northwest Envirofan

Envirofan and Agrifan Overhead Ceiling Fans - Fan Controls - Protecto-Guard Ceiling Fan Guards
920-235-7808 800-236-7080 FAX 920-235-3049 www.envirofan.com

Envirofan Speed Controls

Installation and Operating Instructions

Model
150F 200F 215F

Warranty:

One full year from date of purchase. Obtain a return merchandise authorization (RMA) from Northwest Envirofan, and return according to RMA instructions. Northwest will repair or replace at their option and return post paid. Enclose a description of apparent problem. Warranty does not cover misuse, abuse, alterations or repair without authorization from Northwest.

This control is to be used only with fans marked as suitable for use with solid state speed controls. This control is suitable for mounting in a metal or polymetric field enclosure. Control must not be used at ratings exceeding those clearly marked on the device.

Technical specifications subject to change without notice.

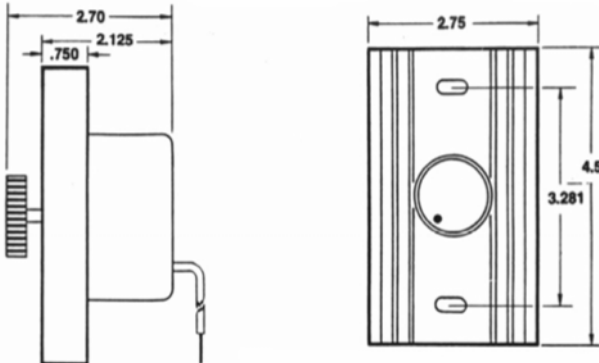
Speed Adjustment:

NOTE: Factory preset low speed setting is low speed setting normally acceptable in most installations. In the event slower low speed setting is desired, read the following additional instructions:

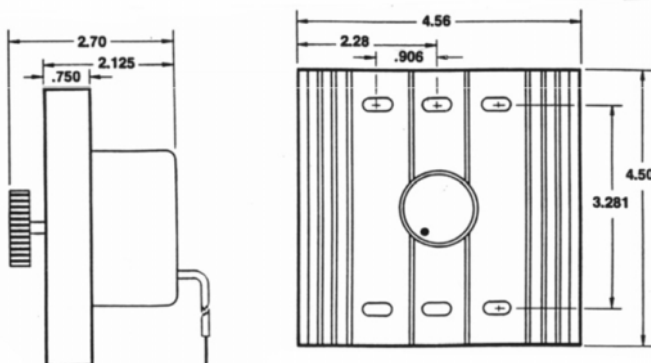
1. Set the control on low setting and remove knob and cover plate.
2. Locate minimum speed setting (either on side or front panel of control) and adjust with screwdriver by turning slotted white screw clockwise (to slow speed range) or counter-clockwise (to increase speed range).
3. Motor will now operate from this preset minimum to full speed.
4. Do not adjust so fan/motor stops while control is in the "on" position.

Installation Diagrams:

Model 150F



Model 200F - Model 215F



Northwest Envirofan

Envirofan and Agrifan Overhead Ceiling Fans - Fan Controls - Protecto-Guard Ceiling Fan Guards

920-235-7808

800-236-7080

FAX 920-235-3049

www.envirofan.com