

ENVIROFAN

Gold Line – 160F-7 277V

Specifications:

Fan Diameter: 56"

Color: White

Weight: 23 lbs.

Direction: Downblowing Only

Coverage Area: 2100 sq.ft.

RPM: 300

Amps: .267

Watts: 68.79

Volts: 277V, 60 Hz

Wiring: Cord & Plug (Plug extends about 16" from top)

EnergyGuide

Estimated Yearly Energy Cost: \$19.28

Cubic Feet per Minute (CFM): 7064 **

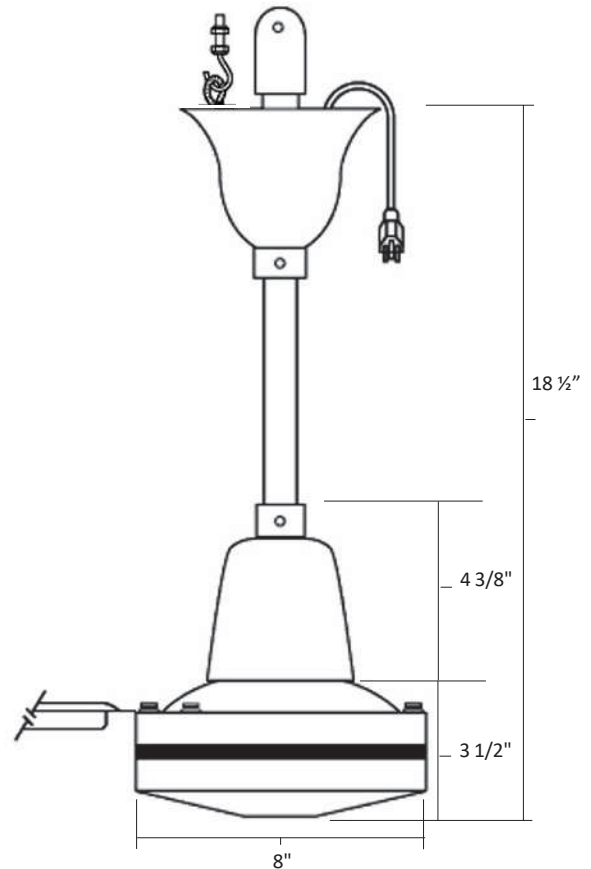
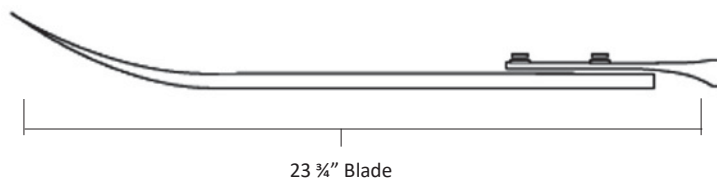
CFM/Watt: 102.70

Based on 12 cents per kWh and 6.4 hours use per day

Your cost depends on rates and use

All estimates based on typical use

The higher the airflow, the more air the fan will move



Features:

Twist Lock Plug L7-15P 4770C

Thermo Protected Motor

Secondary Support Cable - Extends about 18" from top

Cast Iron Motor Housing

Aluminum Blades

UL 507 Listed

10" Downrod (1" OD)

5 Year Warranty

2 Mounting Options: J-Bolt or EZ Mount Bracket to UL approved fan box



Note: Per UL 507 Regulations, fan blades must be 10 feet or more above floor

If fan blades are less than 10 feet above floor, a ceiling fan guard is required

CFM Measured from fan hung from 10' high ceiling with standard downrod

Technical specifications subject to change without notice

Northwest Envirofan

A Division of Northwest Environmental Systems, Inc.

Envirofan Ceiling Fans • Protecto-Guard Ceiling Fan Guards • Fan Controls

info@envirofan.com

(920) 235-7808

www.envirofan.com